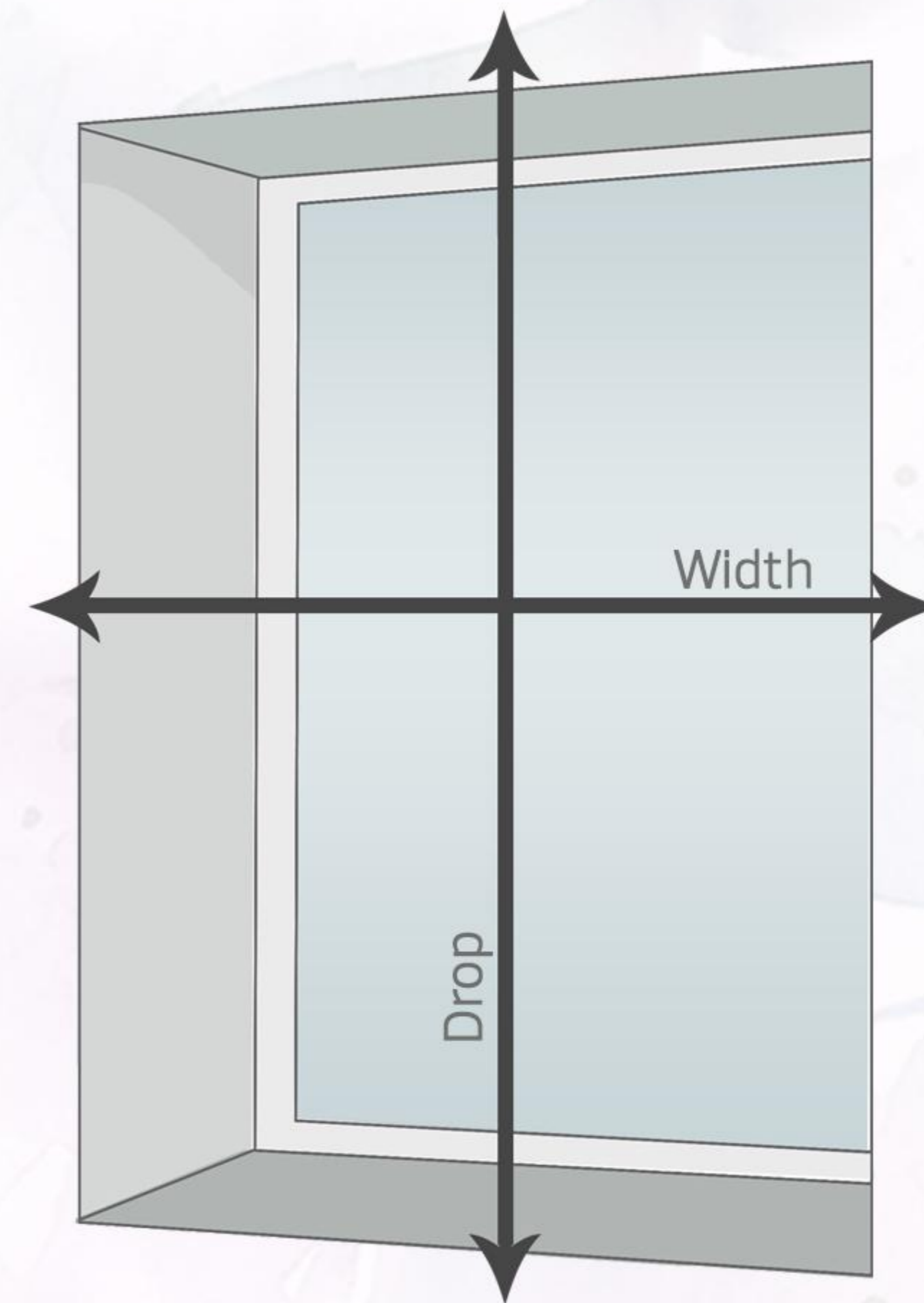


Soft Roll Blinds

Exact Fitting

Choose "exact fitting" when you are hanging your blind outside the window recess. Measure the width and drop at the point where your hanging brackets will be positioned on the wall.

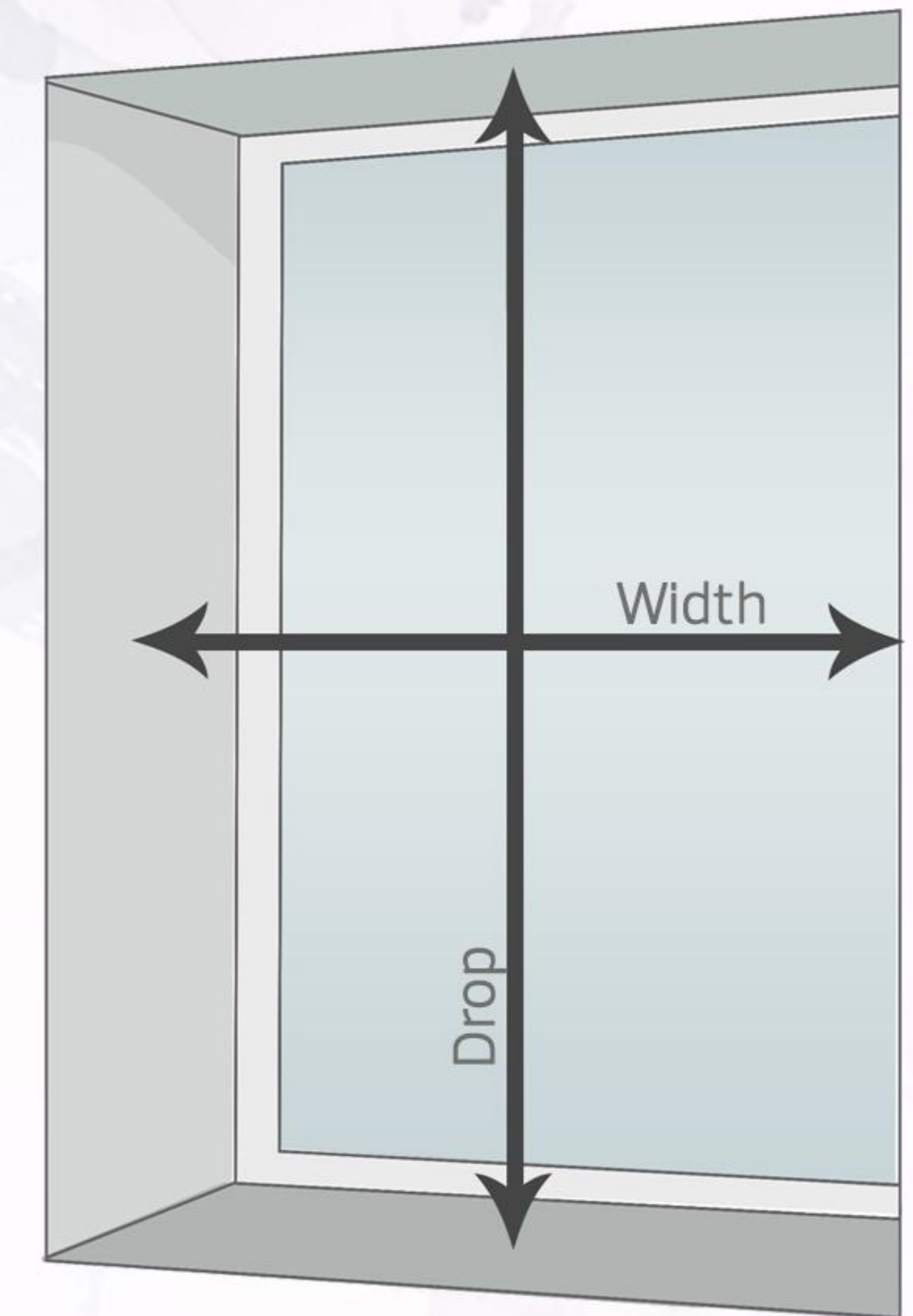
We will make sure the fabric width and depth matches the size you enter, please be aware that the brackets will add approximately 35 mm to the overall width of the blind.



Recess Fitting

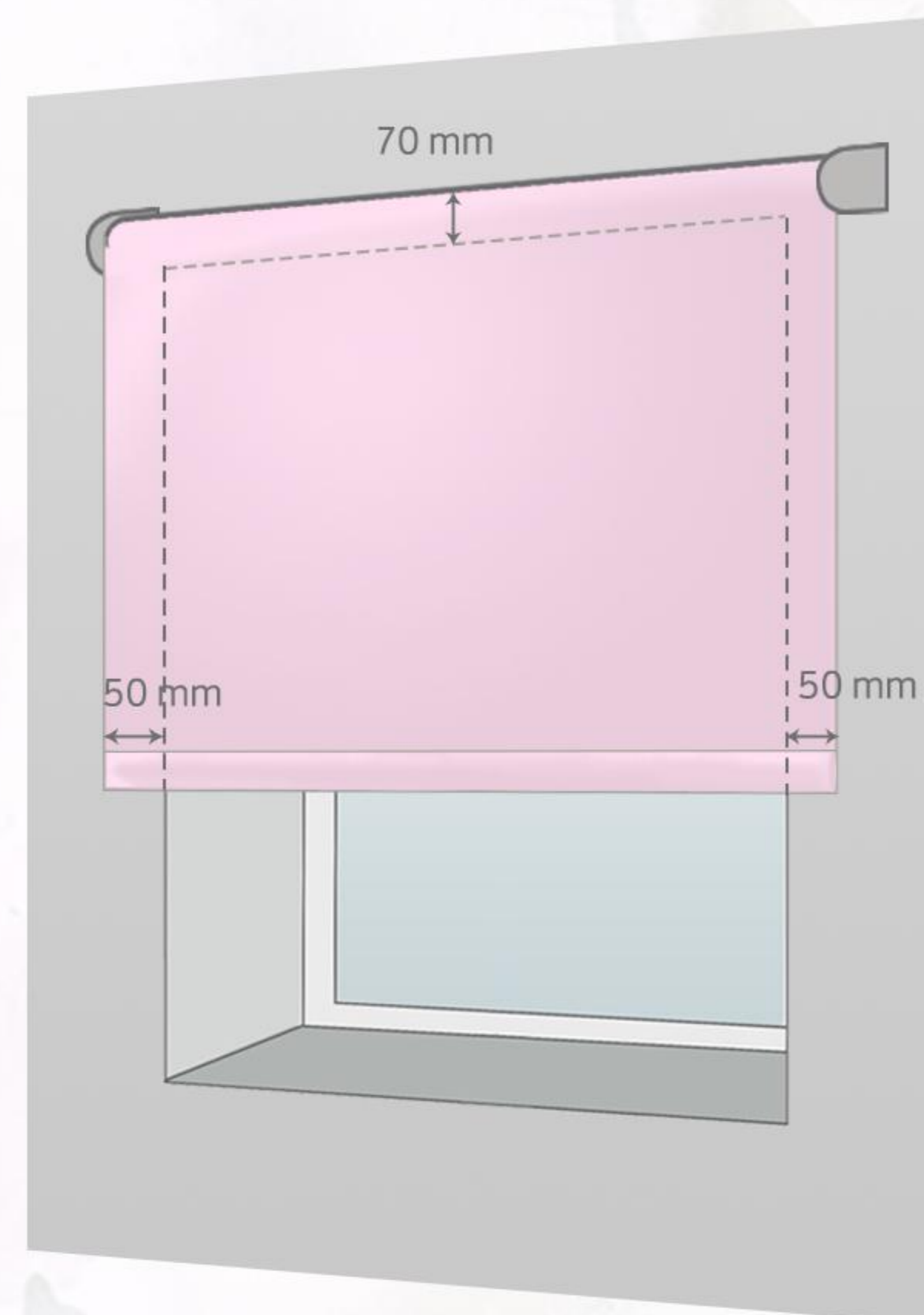
Choose "recess fitting" when fitting your roller blind inside a window recess.

Measure the full width and height of the recess and we will make the appropriate deductions to ensure a perfect fit.



Tips

- When measuring outside a recess, we recommend the blind overlaps by at least 70 mm at the top and 50 mm either side. This will minimise the amount of light shining through.
- The overlap at the bottom is a personal choice; please take in to account obstacles such as radiators.



Tips

- Measure in 3 places for both the width and the drop, use the smallest measurement.
- Use a metal tape measure, cloth ones can stretch and give you inaccurate measurements.

